



Examination light  
with LED technology

CHROMOPHARE® F 300

# CHROMOPHARE® F 300

## Light at the right time, in the right place



For treatment and examination, the CHROMOPHARE® F 300 provides an allround solution for all emergency room, anaesthetic room and most other investigative clinical environments.

### **Optimal lighting**

The F 300 employs highly developed optics, based on the principle of total internal reflection with an integrated Fresnel structure. This optimally directed light provides the user with a large homogenous 16 cm diameter field of light, with an excellent depth of illumination. Absence of shadows, reflections and glare ensure safe working.

### **Ideal colour reproduction**

With a colour temperature of 4,500 K, the CHROMOPHARE® F 300 provides 'natural white' light. This is both comfortable to the eye of the surgeon and allows best tissue definition.

### **Efficiency and power consumption**

Use of the latest generation 30 watt high performance LEDs achieves high light output with minimum power requirement. Together with lifetime of at least 30,000 hours the F 300 significantly reduces running costs.



# CHROMOPHARE® F 300

## Highest standard of design and functionality

Alignment of the CHROMOPHARE® F 300 is precise, easy and reliable. Smooth moving, long-reach arms combined with 270° rotation ensure that light is available from the head, to the foot of a patient bed. A user-friendly 'grab rail' surrounding the light and a removable sterilisable handle allow positioning whether performing a sterile procedure or acting as assistant.



### Wall mount

Ideal for laboratories and examination rooms with low ceilings: F 300 with single or double arm.



### Ceiling mounting

Ideal for emergency treatment or examination rooms: F 300 with single or double arm.



### Mobile lamps

Ideal for independent use in any room.

# CHROMOPHARE® F 300

## Intuitive and reliable

### Control panel:

A wipe clean finger touch panel provides power ON/OFF and five levels of brightness control.

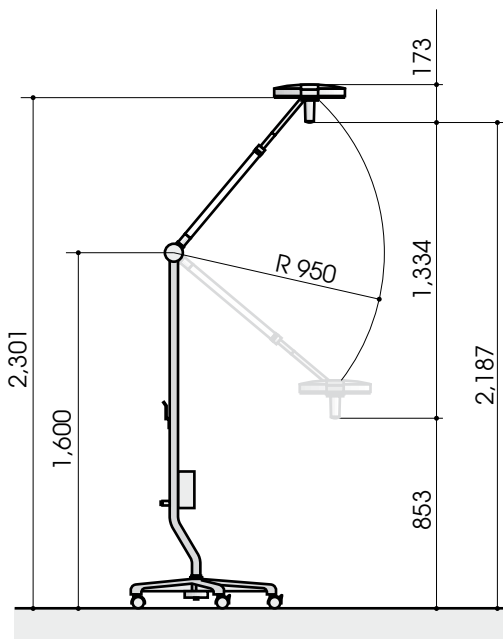
### User-friendly maintenance

The F 300 uses smooth seamless surfaces for easy cleaning in the clinical environment. Carefully selected and validated materials ensure long-term durability and low maintenance.

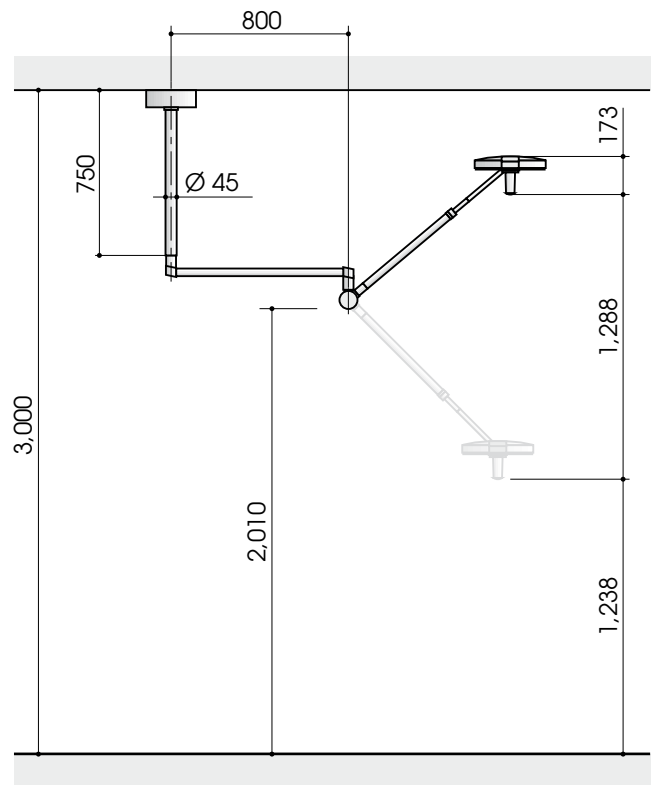


# CHROMOPHARE® F 300

## Technical data



Mobile lamp



Ceiling mounting

Technical data	F 300
Light head diameter	33 cm
Illumination intensity	55,000 lx
Intensity control	5 levels, 20-100%
Light field diameter	16 cm
Depth of illumination L1+L2 (as per IEC 601-2-41/2)	> 130 cm
Colour rendering index	96
Colour temperature	4,500 K
Lights	7 LEDs
LED service life	30,000 hrs
Total radiation power at max. intensity	170 W/m <sup>2</sup>

All light technical data max +/- 10% tolerance.

**China**

BERCHTOLD China  
 Tel. +86 21 2898-6190  
 Fax +86 21 2898-6192  
 China@BERCHTOLD.biz

**Great Britain**

BERCHTOLD UK Ltd.  
 Tel. +44 1635 521541  
 Fax +44 1635 44002  
 UK@BERCHTOLD.biz

**Japan**

BERCHTOLD Japan K.K  
 Tel. +81 3 3533 8501  
 Fax +81 3 3533 8502  
 Japan@BERCHTOLD.biz

**USA**

BERCHTOLD Corporation  
 Tel. +1 843 569-6100  
 Fax +1 843 569-6133  
 USA@BERCHTOLD.biz

**France**

BERCHTOLD France  
 Tel. +33 1 491 921-33  
 Fax +33 1 491 921-00  
 France@BERCHTOLD.biz

**India**

BERCHTOLD India  
 Tel. +94 98 49031141  
 India@BERCHTOLD.biz

**Malaysia**

BERCHTOLD Asia Sdn. Bhd.  
 Tel. +60 3 7722 3495  
 Fax +60 12 681 7876  
 Asia@BERCHTOLD.biz

**Germany**

BERCHTOLD GmbH & Co. KG  
 Tel. +49 7461 181-0  
 Fax +49 7461 181-200  
 Info@BERCHTOLD.biz

**Italy**

BERCHTOLD Italia S.R.L.  
 Tel. +39 345 580 0380  
 Fax +39 035 412 9749  
 Italy@BERCHTOLD.biz

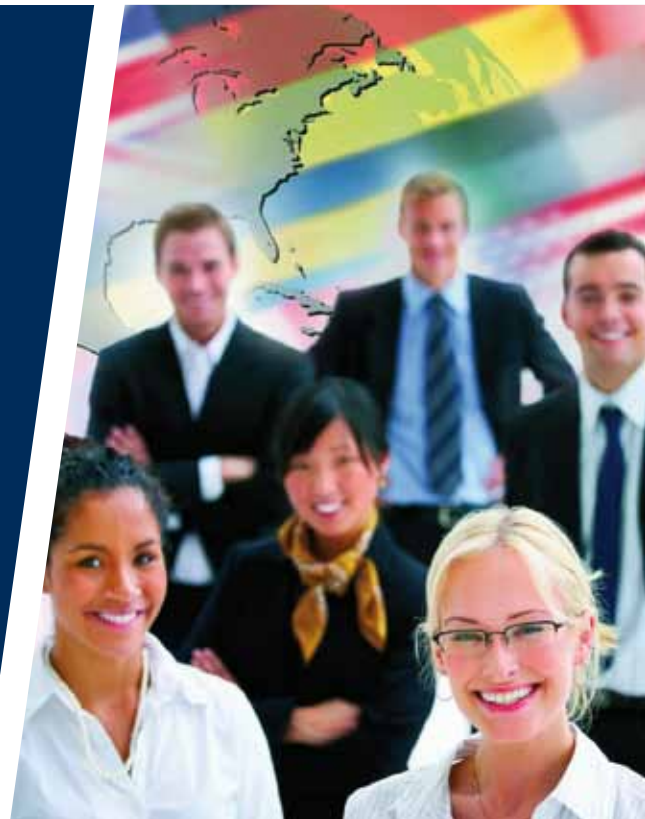
**Spain**

BERCHTOLD Espana, S.L.  
 Tel. +34 91 804 9309  
 Fax +34 91 803 5500  
 Spain@BERCHTOLD.biz

For nearly 90 years, BERCHTOLD has been a specialist in equipping surgical theatres. We offer best-in-class products, global experience in planning and project management, and individual service. Our products and services include:

- CHROMOPHARE® surgical and examination lights
- ChromoVision® video and camera systems
- ChromoView™ monitor arms
- OPERON® surgical tables and accessories
- ORICS® telemedicine
- SUPERSUITE® all-round, customised OR solutions
- TELETOM® ceiling pendants
- 3D-OR™ Design-Software
- Development, consulting, project management
- Service and installation by the best-trained specialists

We look forward to hearing from you and helping you plan, design and install your next surgical environment.



BERCHTOLD GmbH & Co KG  
 Ludwigstaler Straße 25 • 78532 Tuttlingen/Germany  
 Tel. +49 7461 181-0 • Fax +49 7461 181-200  
 Info@BERCHTOLD.biz • www.BERCHTOLD.biz