

Astramax HD-LED® Surgical Light



**HD
LED**®

Astramax HD-LED®

High Performance Compact Surgical Light



Brandon Medical is a UK designer and manufacturer of world-leading equipment for operating theatres, critical care areas and primary care institutions. For 75 years, Brandon Medical has provided healthcare professionals with reliable, high-quality and affordable medical equipment. Continuous investment in research and development of our products allows us to meet the ever-changing needs of our customers, the healthcare industry and the patients it serves.



Lights to suit all of your clinical needs

Brandon Medical provides a comprehensive range of LED medical lights to suit all of your clinical needs. Brandon Medical's LED medical lights use the latest innovations in LED lighting technology to provide you with better performance and lower lifetime costs. The choice of medical lights we offer vary in light intensity, light colour, mounting structures and price so you can choose a light that meets all of your clinical needs.

High-Definition Surgical Lighting

"HD-LED® is a breakthrough technology with vastly better performance than standard definition LED or conventional surgical lights."






**HD
LED®**

Full Spectrum Colour Rendition

The only surgical lighting with near perfect colour rendition across the full visible spectrum. Natural white light picks out all the visible colours for your eyes so you can see clearly without eye strain.

- Easy to distinguish small differences in tissue.
- All the colours are strong and vibrant.
- Reduced eye strain by making the light do the work instead of the eye.

Fat Beam Illumination

Higher light flux ensures the biggest beams of light in the business, bigger illuminated fields and more light across the full width of the illuminated area.

- High light intensity across the full illuminated area for uniform vision.
- Avoids visual distraction by reducing high contrast in the illuminated area.
- Adjust the beam size to suit your working area to eliminate peripheral distraction.

Red Balance Control

With the highest R9 red colour rendition of any other product, Astramax HD-LED® provides optimum visualisation of red tissues. Red balance enhancement compensates for our natural weakness in distinguishing shades of red and is user adjustable to fine-tune the light to match our own red vision and the surgical conditions.

- Enhanced visualisation of red tissues.
- Improved differentiation between tissues of similar colour.
- You can adjust the light colour to match your own optical colour response.



Astramax HD-LED®

High Performance Compact Surgical Light



Slim, Compact and Powerful

Ultra slim and light-weight lamp head enables smooth, fast and precise positioning during procedures. Astramax HD-LED® is a compact yet powerful surgical light with an impressive 150,000 Lux output comparable with much larger surgical lights.

Long Life

Astramax HD-LED® life of >60,000 hours equates to more than 20 years of normal use.

Environmentally Friendly

HD-LED lights use up to 70% less energy than conventional medical lighting. HD-LED lights have the highest lighting performance with the smallest energy consumption.

LEDs are also mercury free, do not contain CFCs, POPs, VOCs, halogens or other harmful chemicals and are OHS compliant.

Large Illuminated Area

A large illuminated area of 320mm diameter makes it easy to illuminate large areas of tissue to target the light onto the wound.





Shadow Control

By spreading the LEDs across the lighting surface, a much better distribution of light is provided from the lamp head. This enables excellent shadow control to under-light obstructions during procedures.

Large Movement Range

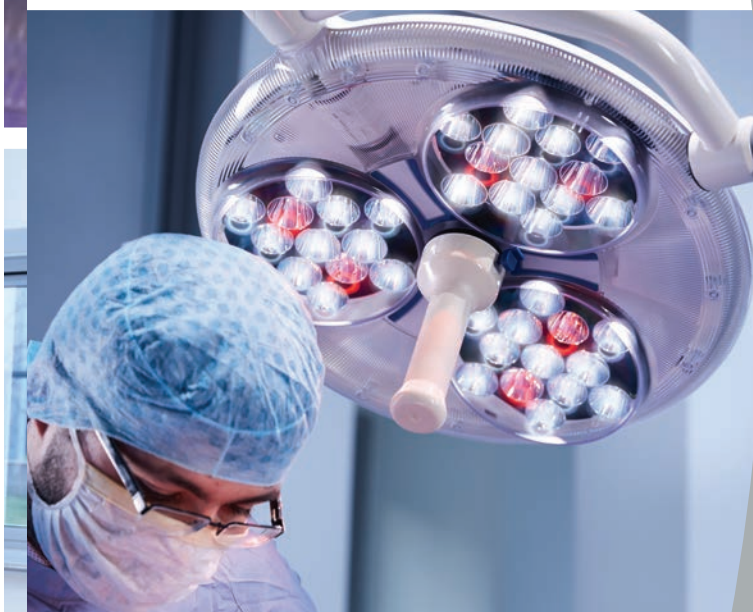
Astramax HD-LED® lamp head is mounted on arms with multi-movement mechanism and capable of positioning the lamp head within an exceptionally wide envelope of movement. The lamp has 5 rotations to allow easy positioning of the light beam from any angle.

Economical

Astramax HD-LED® provides exceptional performance at a competitive price with minimal running costs. Using less than 50 watts of power and with >60,000 hours of LED life, Astramax HD-LED® continually saves money on energy and maintenance.

Infection Control

The lamp head is sealed to IP54 to protect from ingress of dirt and fluids. The smooth surfaces of the lamp head allow for easy disinfection. The lamp head is manoeuvred using a sterilisable handle. Disposable handles are also available as an option.



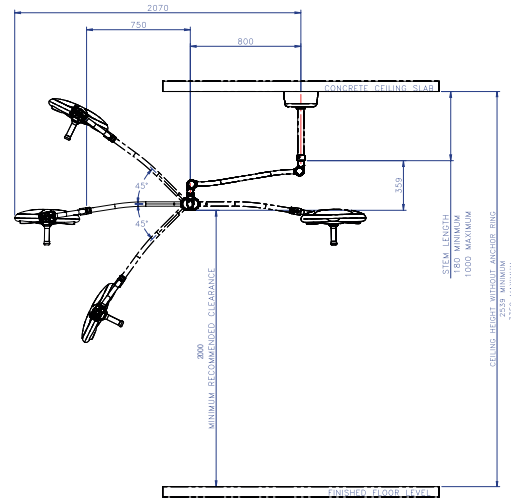
Astramax HD-LED®

Technical Information

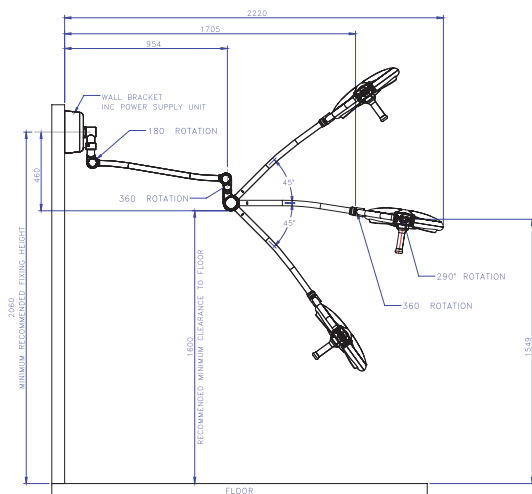


Astramax Models: Technical Drawings Movement range

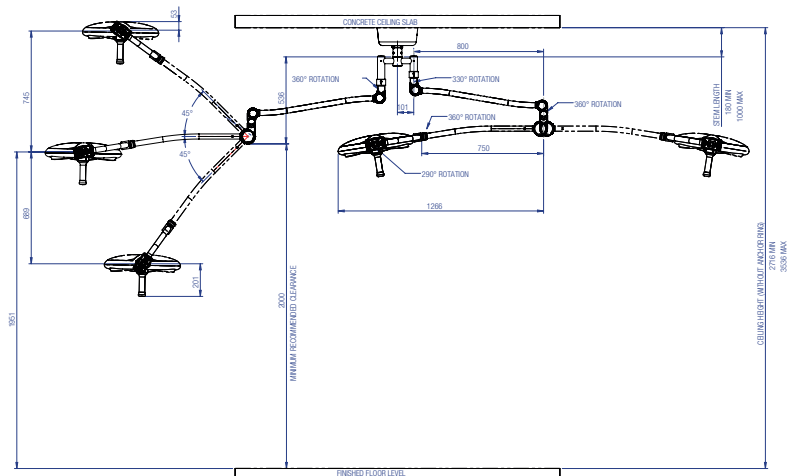
Single Ceiling (AM30CJ)



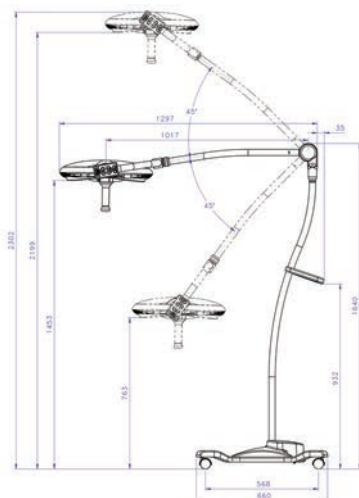
Single Wall Mount (AM30WJ)



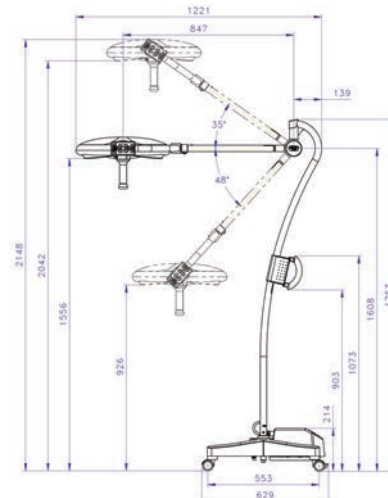
Tandem Ceiling Mount (AM3030TJ, AM3010TJ)

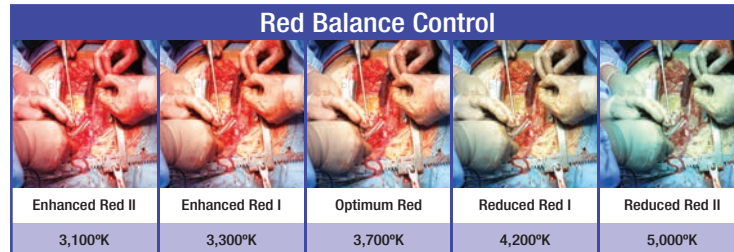


Single Mobile (AM30M0)



Single Mobile with Battery Back Up (AM30MEL)






The % of visible red light can be increased or decreased to optimise the visualisation of red tissues. Colour temperature is variable from 3,100°K – 5,000°K.

CRI




R_a
≥95

Full Spectrum Colour Rendition



R ₁	R ₂	R ₃	R ₄	R ₅	R ₆	R ₇	R ₈
99		93	93	98	96	94	92

Red



R₉
95

Colour Rendering Index R_a

Colour Rendering Index (R_a) is a measure of how well a light source reproduces colours.

Near Perfect Colour Rendition Across the Visible Spectrum R₁-R₈

HD-LED has near perfect colour rendition for all 8 colour measurements used to calculate general Colour Rendering Index (R_a). The “strong red” colour so important for visualisation of red tissues is not included in the R_a measurement.

Enhanced Red Balance R₉

R₉ indicates visible red colour reproduction which is a critical parameter for surgical lights.

Technical Data	
Light Intensity (at 1m)	150,000 Lux
Adjustable Colour Range (Red Balance)	3,100°K - 5,000°K
Colour Rendition Index R _a	>95
Colour Rendition Index Red Colour R ₉	>95
Field Size D10 at 1 metre	150 to 320mm (variable)
LED Life	>60,000 Hours
Supply Voltage	100 – 240 Vac 50/60 Hz
Power Consumption at Full Power	<50W
Radiant Energy	3.31 W/m ² /Klux

Exceeding Standards

Brandon Medical is certified as an ISO 13485 and ISO 9001 manufacturer, the global standard for medical device manufacturers. Brandon Medical Astramax HD-LED® lights conform to IEC 60601-1, IEC 60601-1-2 and IEC 60601-2-41.

Part No	Description
AM30CJ	Astramax Ceiling Mounted Surgical Lamp
AM30WJ	Astramax Wall Mounted Surgical Lamp
AM30MO	Astramax Mobile Mounted Surgical Lamp
AM30MEL	Astramax Mobile Mounted Surgical Lamp with Emergency Power Supply Unit
AM3030TJ	Astramax Tandem Ceiling Mounted Surgical Lamp
AM3010TJ	Astramax Astralite Ceiling Mounted Surgical Lamp with Emergency Power Supply Unit



UK Customs
Approved Exporter
Status GB 16164/13



Astramax HD-LED® Lights are part of the Brandon Equipment Package.

Operating Theatre Lights and Battery Back Up
 Minor Surgical Lights
 Examination Lights
 Theatre Control Panels
 PACS Workstations
 IPS Isolated Power Systems
 UPS Uninterruptible Power Systems
 Medical Gas Pendants and Accessories
 Ultra Clean Ventilation Canopies
 Operating Table and Accessories
 Digital Audio Video Solutions



Manufactured by:

Brandon Medical Co Ltd, Elmfield Road,
 Morley, Leeds, LS27 0EL
 T: +44 (0)845 1243 666 F: +44 (0)845 1243 667
 T: +44 (0)113 2777 393 F: +44 (0)113 2728 844
 E: enquiries@brandon-medical.com
www.brandon-medical.com

EC REP

EU Authorised Representative:

(On behalf of Brandon Medical Co Ltd): European Healthcare and Device Solutions (Ireland) Ltd,
 Stratton House,
 Bishopstown Road, Cork,
 T12 Y9TC Ireland

23/06/2021
 A5 111-0023