

Astralite®

Minor Surgical and Examination Lights



BRILLIANT BY DESIGN



**HD
LED®**

Astralite®

Real Operating Lights for Minor Surgery & Examination



Brandon Medical is a UK designer and manufacturer of world-leading equipment for operating theatres, critical care areas and primary care institutions. For 75 years, Brandon Medical has provided healthcare professionals with reliable, high-quality and affordable medical equipment. Continuous investment in research and development of our products allows us to meet the ever-changing needs of our customers, the healthcare industry and the patients it serves.



Lights to suit all of your clinical needs

Brandon Medical provides a comprehensive range of LED medical lights to suit all of your clinical needs. Brandon Medical's LED medical lights use the latest innovations in LED lighting technology to provide you with better performance and lower lifetime costs. The choice of medical lights we offer vary in light intensity, light colour, mounting structures and price so you can choose a light that meets all of your clinical needs.





**HD
LED**®

High-Definition Surgical Lighting

HD-LED is a breakthrough technology with vastly better performance than standard definition LED or conventional surgical lights.

Full Spectrum Colour Rendition

The only surgical lighting with near perfect colour rendition across the full visible spectrum. Natural white light picks out all the visible colours for your eyes so you can see clearly without eye strain.

- Easy to distinguish small differences in tissue.
- All the colours are strong and vibrant.
- Reduced eye strain by making the light do the work instead of the eye.

Fat Beam Illumination

Higher light flux ensures the biggest beams of light in the business, bigger illuminated fields and more light across the full width of the illuminated area.

- High light intensity across the full illuminated area for uniform vision.
- Avoids visual distraction by reducing high contrast in the illuminated area.
- Adjust the beam size to suit your working area to eliminate peripheral distraction.

Red Balance Control

With the highest R_g red colour rendition of any other product, Astramax HD-LED® provides optimum visualisation of red tissues. Red balance enhancement compensates for our natural weakness in distinguishing shades of red and is user adjustable to fine-tune the light to match our own red vision and the surgical conditions.

- Enhanced visualisation of red tissues.
- Improved differentiation between tissues of similar colour.
- You can adjust the light colour to match your own optical colour response.



Astralite®

Real Operating Lights for Minor Surgery & Examination



Large Movement Range

Astralite is designed so that the light head can be positioned all the way around the couch to examine all parts of the patient. The 5 rotations allow easy positioning of the light beam from any angle.

Long Life

LED life is greater than 50,000 hours which equates to more than 20 years of normal use.

Environmentally Friendly

Astralite uses less than 32 VA of electrical power, LEDs are mercury free and do not contain CFCs, POPs, VOCs, halogens or other harmful chemicals.

Economical

Never having to change a bulb for the lifetime of the product means that Astralite is highly economical. LED is substantially more efficient at producing more surgical quality light for less power.

Designed to Minimise Infections

Anti-microbial additives are used to destroy harmful bacteria. The smooth, continuous surfaces are easy to wipe clean. The Astralite light head is sealed against the ingress of dirt and liquids to prevent contamination.





High Intensity Cold Light

Choose between the AL10 with 70,000 Lux light intensity at 1m or the even more powerful ALE10 with 100,000 Lux at 1m.

High Colour Rendition

Astralite reproduces all of the visible colours naturally and accurately. The high quality of white light whilst the high $R_g \geq 95$ measurement describes how it accurately illuminates red tissue.

More Control

- Auto-On when any control is touched.
- Focusable beam by twisting the handle.
- Light intensity control (8 steps).
- Adjustable colour by Red Balance Control.

Adjustable Colour Contrast

The colour of the light can be adjusted depending on skin, tissue or wound to select the optimum lighting.

Large Illuminated Field

All models produce a large 250mm max. diameter light field with a 70-140cm working distance.

Sterilisable Handle Option

The standard handle is very easy to clean and accepts most disposable covers. A re-sterilisable handle is an optional item.

Astralite®

Telescopic



Large Movement Range

Astralite® Telescopic offers the benefits of the Astralite® range, on a mobile base with an adjustable height stand, with a vertical range between 1,100 - 1,800mm.

More Control

- Compact, ideal for small examination rooms.
- Commercial UPS power available.
- Ideal for gynaecology.
- Excellent value.

Long Life

LED life is greater than 50,000 hours

Economical

Low life-time costs means that Astralite® is highly economical. LED is substantially more efficient at producing more surgical quality light for less power.

Designed to Minimise Infections

Anti-microbial additives are used to reduce the growth of harmful bacteria by stopping their reproduction. The smooth, continuous surfaces are easy to wipe clean. The Astralite light head is sealed against the ingress of dirt and liquids to prevent contamination.

Adjustable Colour Contrast

The colour of the light can be adjusted depending on skin, tissue or wound to select the optimum lighting.

Large Illuminated Field

All models produce a large 250mm max. diameter light with a 70-140cm working distance.





Light Quality Characteristics

	AL10	ALE10
Maximum Light Intensity	70,000 Lux (Adjustable 8 Steps)	100,000 Lux (Adjustable 8 Steps)
Power Consumption	<32 VA	
Colour Temperature	3,500°K - 5,000°K (6 Steps)	
Colour Rendition Index (Ra)	>95	
Colour Rendition Index Red Colour (Rg)	>95	
Beam Size d10 @ 1m	180mm	
LED Life	> 50,000 Hours	
Input Volts	100-240 Vac 50/60 Hz	

Astralite® Telescopic

Astralite® Telescopic Mobile D/C input ALE10MTD

Astralite® Telescopic Mobile A/C input ALE10MTA

Astralite® Telescopic Mobile D/C input AL10MTD

Astralite® Telescopic Mobile A/C input AL10MTA

Bracket for UPS power - commercial unit

UPS power - commercial unit



Exceeding Standards

Brandon Medical is certified as an ISO 13485 and ISO 9001 manufacturer, the global standard for medical device manufacturers. Brandon Medical Astralite® conforms to IEC 60601-1, IEC 60601-1-2 and IEC 60601-2-41

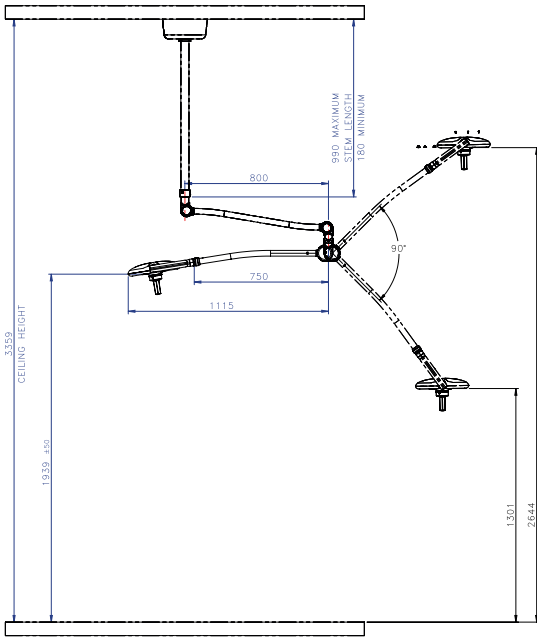


Astralite®

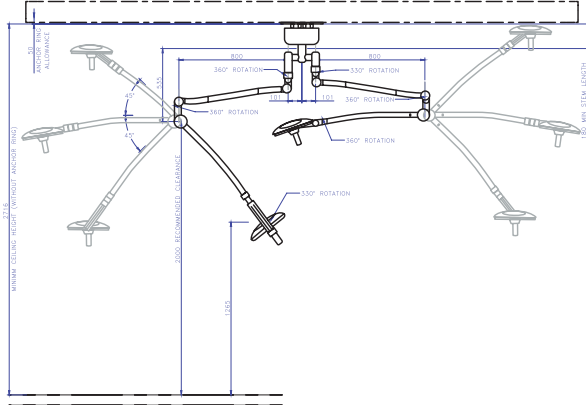
Real Operating Lights for Minor Surgery & Examination



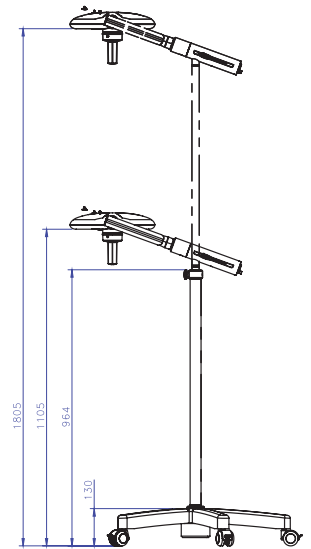
**Ceiling Model
(AL10CJ, ALE10CJ)**



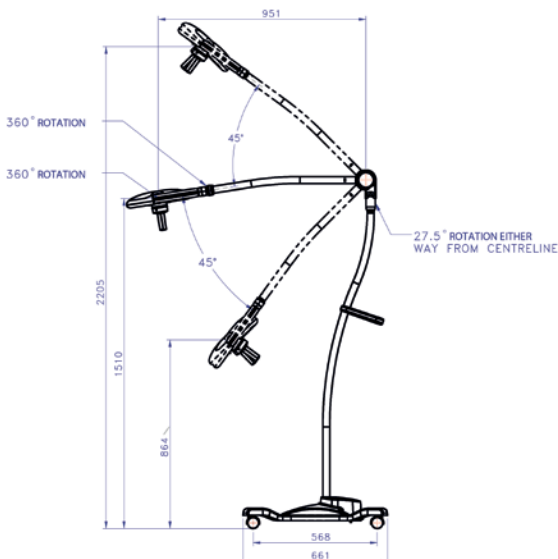
**Tandem Model
(ALE1010TJ)**



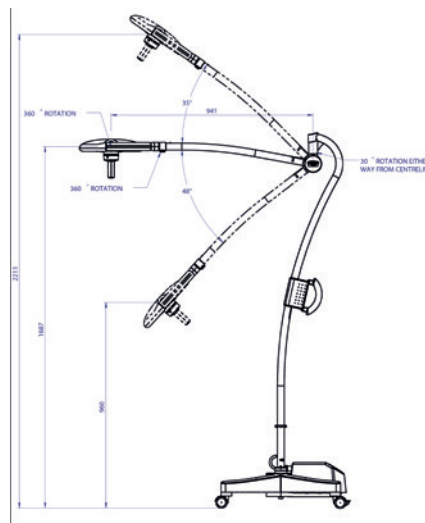
**Astralite®
Telescopic**



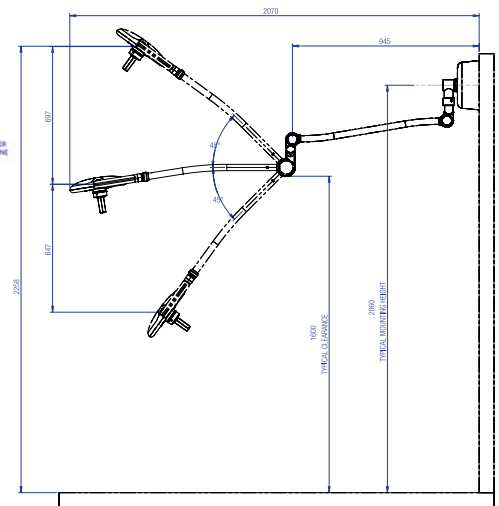
**Mobile Model
(AL10MO, ALE10MO)**



**Battery Back Up Model
(ALE10MEL)**



**Wall Model
(AL10WJ, ALE10WJ)**





Handle Options



Astralite® is supplied with a standard light handle



Sterilisable handle is available as an optional extra

Light Quality Characteristics	AL10	ALE10
Maximum Light Intensity	70,000 Lux (Adjustable 8 Steps)	100,000 Lux (Adjustable 8 Steps)
Power Consumption	<32 VA	
Colour Temperature	3,500°K - 5,000°K (6 Steps)	
Colour Rendition Index R _a	>95	
Colour Rendition Index R _g	>95	
Beam Size d10 @ 1m	180mm	
Field Size	250mm	
LED Life	> 50,000 Hours	
Input Volts	100 - 240 Vac 50/60 Hz	

Part Number	Description
AL10CJ	Astralite 10 Minor Surgical Ceiling Lamp
AL10MO	Astralite 10 Minor Surgical Mobile Lamp
AL10WJ	Astralite Minor Surgical Wall Lamp
ALE10CJ	Astralite eLite 10 Minor Surgical Ceiling Lamp
ALE10MO	Astralite eLite 10 Minor Surgical Mobile Lamp
ALE10MEL	Astralite eLite 10 Minor Surgical Mobile + Epu
ALE1010TJ	Astralite eLite 1010 Tandem Lamp
ALE10WJ	Astralite eLite 10 Minor Surgical Wall Lamp
HM33562C	Sterilisable Handle Cover For Astralite
14141	Optional Handle Carrier For Astralite

*Specifications may vary by +/-10%

Astralite®

Mounting Options



Mounting Options

Brandon Medical's HD-LED minor surgical and examination lamps are available in a variety of mountings to suit all clinical environments.

Ceiling

- Can be mounted anywhere in the room.
- Can be positioned out of the way.
- Ideal when space is limited.
- Longer arm reach.
- Choice of 1 or 2 lamp heads.

Wall

- Can be hard wired into the wall, freeing up plugs and floor space.
- More secure than a mobile light.

Telescopic

- Easy to move and position.
- Use the light in multiple rooms.
- Adjustable height stand for even more ease.

Mobile

- Ideal for getting as close to the patient as possible.
- Easy to move and position.
- Use the light in multiple rooms.
- Model with battery back up available.





Medical Architectural

- Ultra clean ventilation system.
- Medical gas pendants and accessories.
- Operating tables and accessories.

Medical Audio Video

- Integrated OR solutions.
- Operating theatre 4K video.
- Digital audio video solutions.

Medical Control and Power

- Medical IT (IPS) and UPS systems.
- Intelligent theatre control panels (ITCP).

Medical Lighting

- Operating theatre lights.

Exceeding Standards

Brandon Medical is certified as an ISO 13485 and ISO 9001 manufacturer, the global standard for medical device manufacturers.

Brandon Medical Coolview® lights conform to IEC 60601-1, IEC 60601-1-2 and IEC 60601-2-41



Award Winner
2019



Astralite® minor surgical and examination lights are part of the Brandon Equipment Package:

- Operating Theatre Lights and Battery Back Up
- Minor Surgical Lights
- Examination Lights
- Theatre Control Panels
- PACS Workstations
- IPS Isolated Power Systems
- UPS Uninterruptible Power Systems
- Medical Gas Pendants and Accessories
- Ultra Clean Ventilation Canopies
- Operating Table and Accessories
- Digital Audio Video Solutions



Manufactured by:

Brandon Medical Co Ltd, Elmfield Road,
Morley, Leeds, LS27 0EL
T: +44 (0)845 1243 666 F: +44 (0)845 1243 667
T: +44 (0)113 2777 393 F: +44 (0)113 2728 844
E: enquiries@brandon-medical.com
www.brandon-medical.com

EC REP

EU Authorised Representative:

(On behalf of Brandon Medical Co Ltd):
European Healthcare and
Device Solutions (Ireland) Ltd,
Stratton House,
Bishopstown Road, Cork,
T12 Y9TC Ireland